

# Solvo®

## A comprehensive tool for power plant process design and optimisation

**Solvo® is an advanced tool tailored for power plant process design and optimisation.** It uses balanced mass and energy flow calculations and equation solutions, to accurately represent equipment operation. The tool offers comprehensive modelling capabilities for various power plant processes. The Solvo® product line comprises six distinct products, each designed to meet the specific needs of different user groups.

**Solvo Education:** Interactive software for teaching and learning power plant processes, aimed at students and teachers in technical education and scientists.

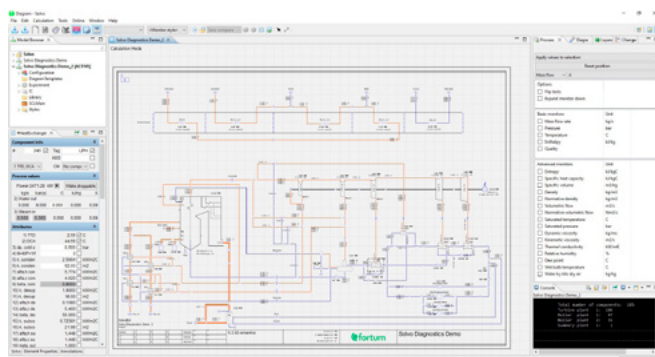
**Solvo Design:** Detailed design and modelling tool for various power plant projects, serving power plant professionals, engineers, and researchers.

**Solvo DesignPlus:** Advanced version of Solvo Design with a focus on boiler design, ideal for boiler design professionals and engineering companies.

**Solvo O&M:** Multi-functional tool for improving power plant operations and personnel training, tailored for production, operations, and maintenance managers and engineers

**Solvo Online:** Software for thermal reporting and condition and operation monitoring in power plants, integrating with plant information systems (e.g. TOPI), suitable for all types of power plants and industrial facilities.

**Solvo Diagnostics:** Advanced tool for viewing and analysing power plant process data, creating reports, and facilitating collaboration, designed for power plant operators and maintenance teams.



### Solvo® process simulation

Solvo® is a customisable software solution for power plants and other industrial processes, originally developed by Fortum and in use since 1991. It offers tailored features to meet individual customer needs and includes personalised training for each product. Comprehensive user support ensures successful implementation and operation.